

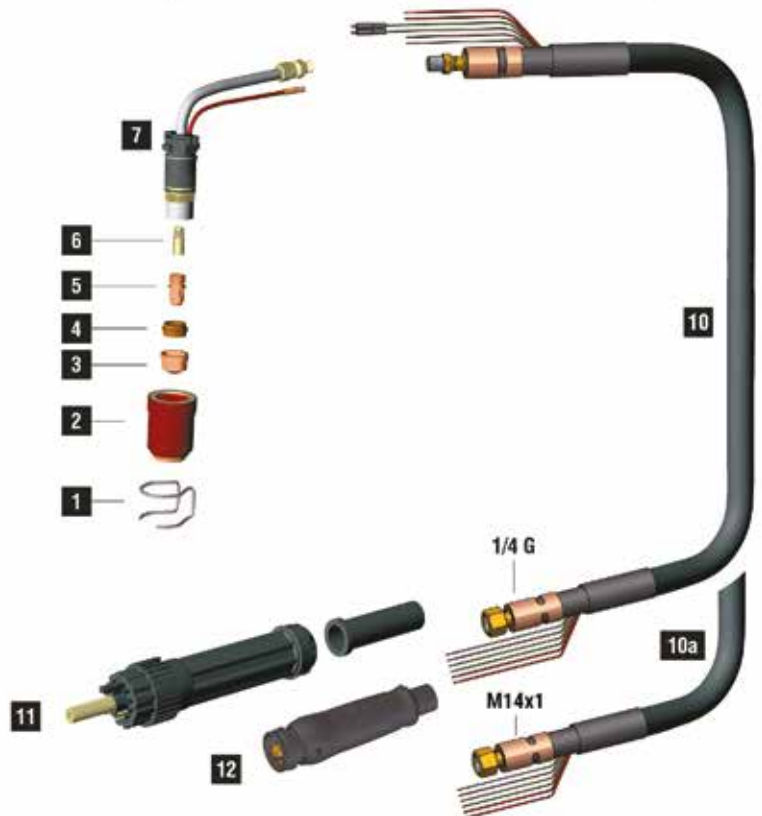
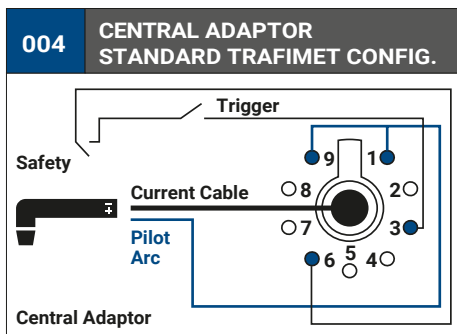
EXPRES CUT A101

CE EN60974-7



| CODE | ↔ | | |
|-----------------|-----|-------|-------------------------|
| PAA206M-000-WA3 | 6 m | 19.7' | 1/4 GAS |
| PAA206M-082-WA3 | 6 m | 19.7' | M14x1 |
| PAA206M-004-WA3 | 6 m | 19.7' | CENTRAL 004 |
| PAA206M-304-WA3 | 6 m | 19.7' | TRAFIMECTOR® 304 |

| TECHNICAL DATA | | |
|----------------|-----------------|--------------|
| HF | EXPRES CUT A101 | |
| 1 m | 0,8 kg | 1,76 lb |
| V PEAK | 500 | |
| | 5 bar | |
| | 180 l/min | |
| X 60% | 100 A | |
| X 100% | 75 A | |
| | 25-30mm | 1" - 1 3/16" |



| | CODE | | DESCRIPTION | Ø | LENGTH | CONTACT | | DRAG | | GOUGING | REF | |
|---|-----------|--|---------------------------------|---------|---------|---------|---|------|---|---------|-------|----|
| | | | | | | | | | | | | |
| 1 | CV0008 | | stand off guide | | 32,5 mm | | • | | | | 51957 | 10 |
| 1 | CV0009 | | stand off guide | | 38,6 mm | | | | • | | | 10 |
| 1 | CV0011 | | stand off guide | | 23 mm | • | | | | | 1386 | 10 |
| 1 | CV0012 | | stand off guide | | 30 mm | • | | | | | 1408 | 2 |
| 1 | CV0014 | | stand off guide | | 30 mm | • | | | | | | 2 |
| 1 | CV0021 | | stand off guide | 32,8 mm | 40,6 mm | • | | | | | | 1 |
| 1 | CV0023 | | stand off guide | | 17,6 mm | | | | | • | | 10 |
| 1 | CV0039 | | stand off guide | | 18,5 mm | | • | | | | | 2 |
| 2 | FH0297 | | insulator for CV0039/ CV0023 | | | | • | | | • | | 10 |
| 2 | PC0109 | | nozzle | | 44,1 mm | • | | | | | | 2 |
| 2 | PC0111 | | long life nozzle | | 44,1 mm | • | | | | | | 2 |
| 2 | PC0113 | | nozzle | | 42,3 mm | | • | | • | | | 2 |
| 2 | PC0130 | | long life | | 42,9 mm | | • | | | • | | 2 |
| 3 | PD0101-08 | | 30 A | 0,8 mm | .030" | 13,7 mm | • | • | | | | 10 |
| 3 | PD0101-11 | | 60 A | 1,1 mm | .043" | 13,7 mm | • | • | | | | 10 |
| 3 | PD0101-14 | | 100 A | 1,4 mm | .055" | 13,7 mm | • | • | | | | 10 |
| 3 | PD0101-17 | | 130 A | 1,7 mm | .066" | 13,7 mm | • | • | | | | 10 |
| 3 | PD0101-19 | | 140 A | 1,9 mm | .075" | 13,7 mm | • | • | | | | 10 |
| 3 | PD0101-30 | | gouging tip | 3,0 mm | 1/8" | 13,7 mm | | | | | • | |
| 3 | PD0111-12 | | 80 A | 1,2 mm | .047" | 35,8 mm | | • | | | | 10 |
| 3 | PD0117-14 | | 100 A | 1,4 mm | .055" | 34,8 mm | | | | • | | 10 |
| 3 | PD0117-17 | | 130 A | 1,7 mm | .066" | 34,8 mm | | | | • | | 10 |
| 3 | PD0117-19 | | 140 A | 1,9 mm | .075" | 34,8 mm | | | | • | | 10 |
| 4 | PE0101 | | diffuser | | 7,8 mm | | • | | | | • | 2 |
| 4 | PE0103 | | diffuser | | 7,8 mm | | • | • | | • | • | 2 |
| 5 | PR0101 | | electrode | | 22 mm | 7/8" | • | • | | | • | 10 |
| 5 | PR0116 | | electrode | | 43,1 mm | | | • | | • | | 10 |
| 6 | FH0562 | | air tube | | 21 mm | | • | • | | • | • | 1 |

| | CODE | | DESCRIPTION | |
|----|--------|--|--|----|
| 7 | EA0131 | | O-ring Ø 19 x 2 mm | 10 |
| 7 | PF0145 | | A101 torch head | 1 |
| 8 | TP0310 | | trigger kit | 1 |
| 9 | TP0303 | | handle kit | 1 |
| 9 | BW0424 | | spring joint | 1 |
| 10 | PH4008 | | coaxial cable - 6 m / 19.7' - 1/4 G (no pin) | 1 |

| | CODE | | DESCRIPTION | |
|-----|--------|--|---|----|
| 10a | PH4063 | | coaxial cable - 6 m / 19.7' - M14x1 | 1 |
| 11 | BW0147 | | cable support | 10 |
| 11 | FY0023 | | plasma central adaptor - 5 pins | 1 |
| 12 | FY0090 | | TRAFIMECTOR® central adaptor - torch side | 1 |
| | EA0254 | | pin extractor for central adaptor | 1 |
| | PT0202 | | male spring pins kit (5 pcs) | 1 |

STANDARD CONTACT SHORT CONTACT LONG DRAG SHORT DRAG LONG GOUGING